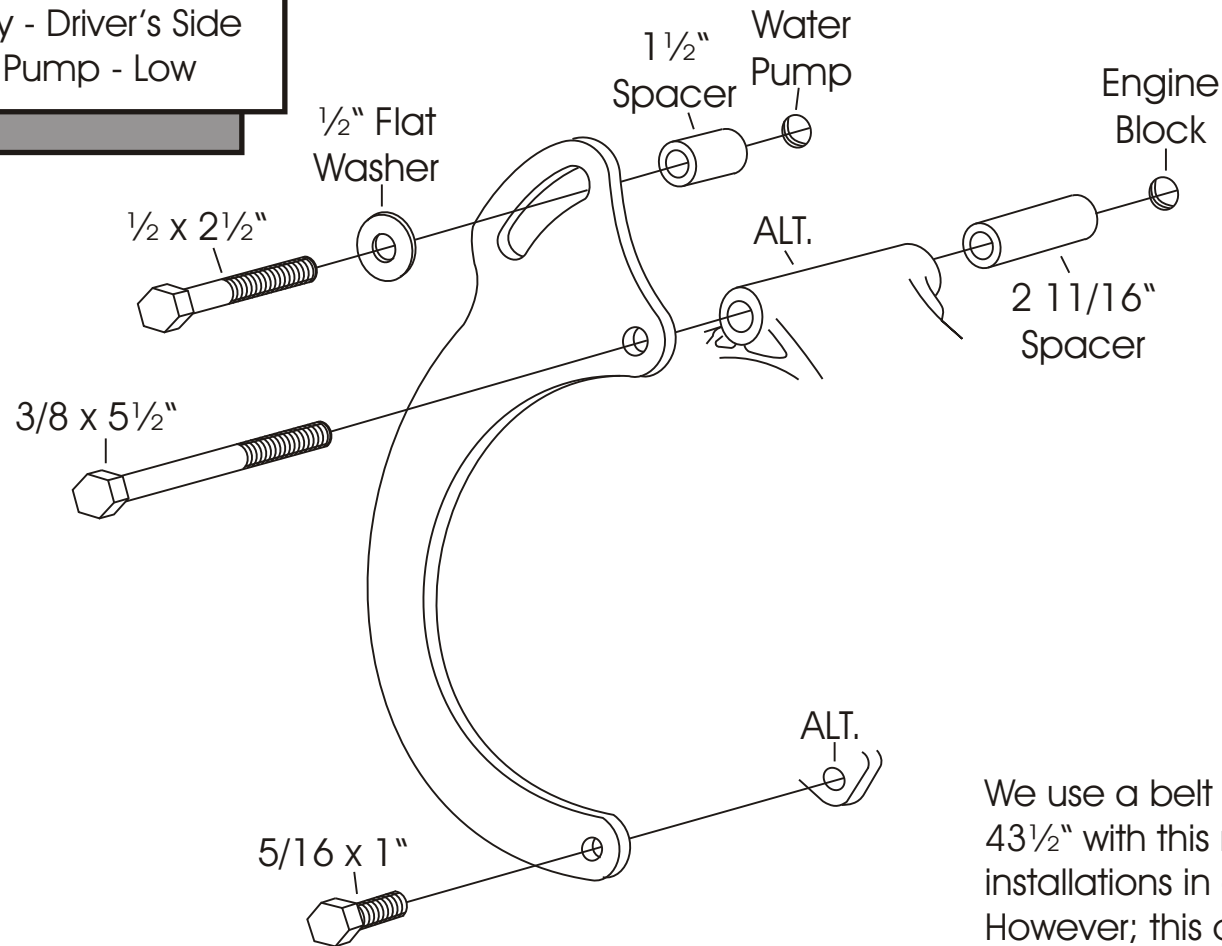


ALTERNATOR MOUNT 217L

Big Block Chevy - Driver's Side
Long Water Pump - Low



We use a belt length of 42 1/2" - 43 1/2" with this mount on installations in our shop. However; this can vary with the diameter of your pulleys.

As with any part of this nature, make sure it fits your application before painting or plating. Parts that have been painted, plated, or modified may not be returned.

**ALTERNATOR
MOUNT
217L**

Big Block Chevy - Driver's Side
Long Water Pump - Low

**ALAN GROVE COMPONENTS, INC.
27070 METCALF ROAD
LOUISBURG, KS 66053**