

ALTERNATOR MOUNT

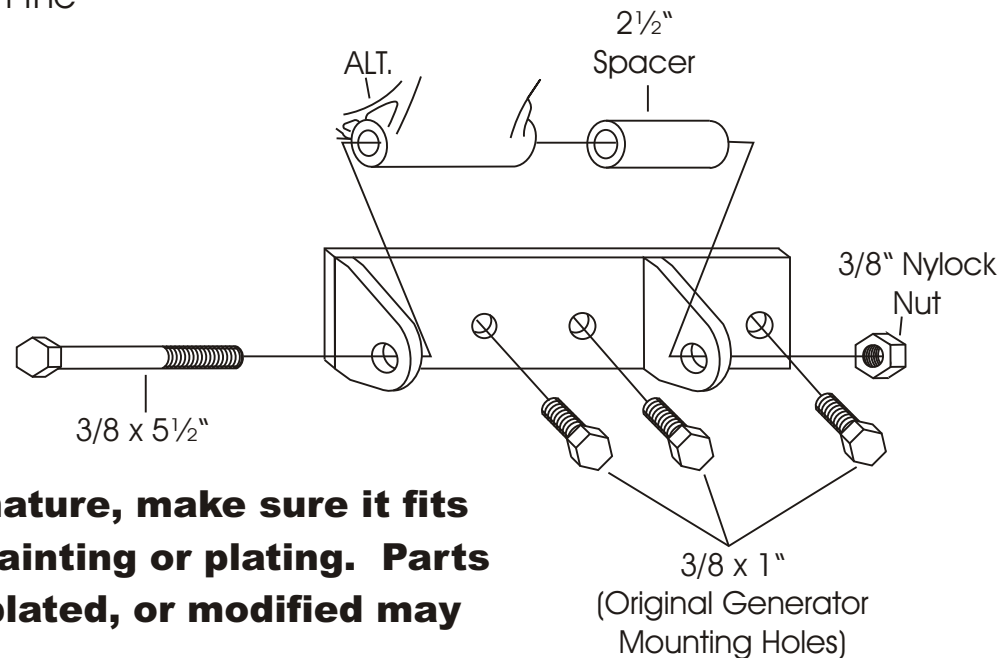
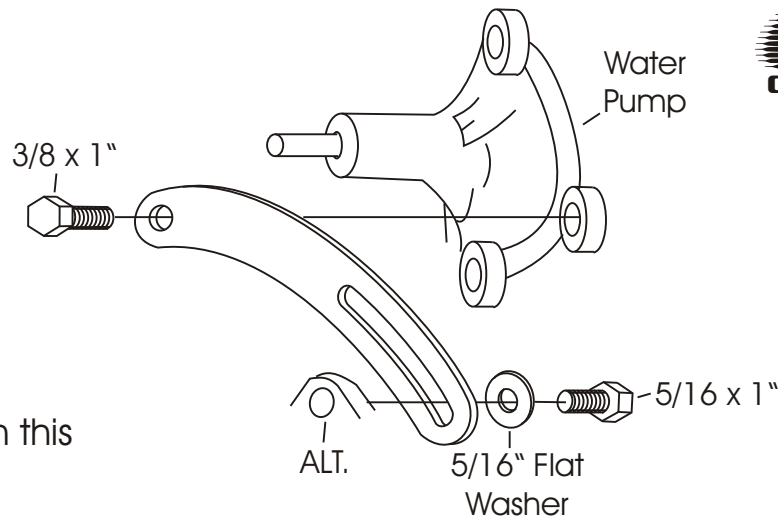
224L

1955-62 - 235 Cu. In.
6 Cylinder Chevy



We use a belt length of 40-40½" with this mount on installations in our shop.

Note: This bracket was designed so that it may be used with the factory 55-57 motor mount that fits between the alternator mounting tabs.



As with any part of this nature, make sure it fits your application before painting or plating. Parts that have been painted, plated, or modified may not be returned.

ALTERNATOR
MOUNT

224L

1955-62 - 235 Cu. In.

6 Cylinder Chevy

ALAN GROVE COMPONENTS, INC.

27070 METCALF ROAD

LOUISBURG, KS 66053