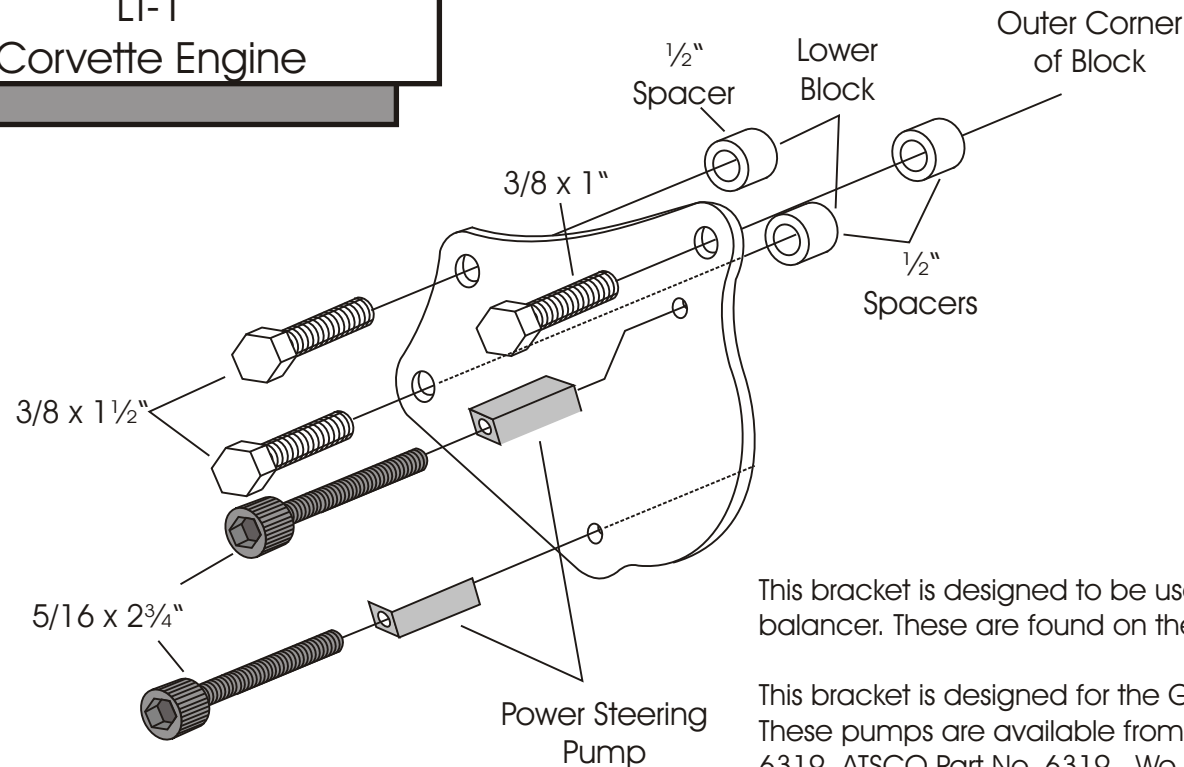


POWER STEERING
PUMP MOUNT
406L
LT-1
Corvette Engine



This bracket is designed to be used with engines using the 2 1/8" balancer. These are found on the Corvette engines.

This bracket is designed for the G.M. remote reservoir Type 2 pump. These pumps are available from a number of sources. Durex Part No. 6319, ATSCO Part No. 6319. We also recommend Mullins Steering Gears at (860) 482-8283 for these pumps in aluminum. Mullins Part No. 6319A Plain, 6319P Polished. This bracket requires the use of power steering pump pulley No. 618 from March Performance at (734) 729-9070.

Note: If your pump has threaded mounting holes it will be necessary to drill them to 5/16."

As with any part of this nature, make sure it fits your application before painting or plating. Parts that have been painted, plated, or modified may not be returned.

POWER STEERING
PUMP MOUNT
406L
LT-1
Corvette Engine

ALAN GROVE COMPONENTS, INC.
27070 METCALF ROAD
LOUISBURG, KS 66053